

Fiberglass Ladders



Non-skid UltraGrit™ Coated Rungs



Ultra custom builds heavy-duty fiberglass ladders to meet your individual requirements per OSHA & ANSI specifications. Ultra ladders are ideal for use with catwalks, mezzanines, roof and tank access.

Safety cages, safety rail / trolley, removable extensions and walk-thru applications are available. Ladders are fabricated using reinforced pultruded fiberglass (FRP materials).

Ultra ladders are manufactured in the USA exceeding the ARRA requirements. Standard wall and floor mounting brackets are included.

- Corrosion Resistant / No Rust
- Safety Yellow Color
- Maintenance Free
- Non-skid UltraGrit™ Coated Rungs
- Light Weight
- Non-Conductive-Heat & Electric
- Per OSHA and ANSI Standards
- Exceeds 1200 lbs Duty Rating

ULTRA
FIBERGLASS SYSTEMS™

Ultra Fiberglass Systems
9732 West Carmen Avenue
Milwaukee, WI 53225

phone 414.461.5051
fax 414.461.5015
www.ultrafiberglass.com



ISO 9001:2008 *Certified*

Quality craftsmanship and attention to detail go into every job.
 Contact us today to quote your next project 414-461-5051.



TYPICAL FIBERGLASS LADDER DETAILS



1/8x4 FLAT STRIP

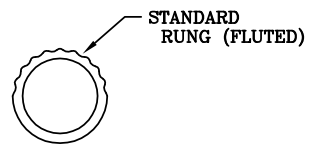
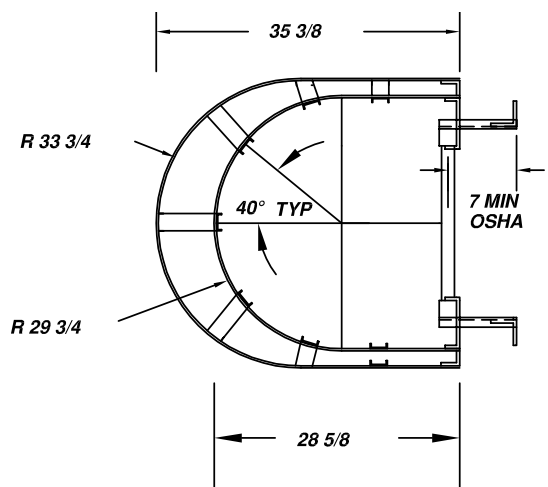
1/8x3 FLAT STRIP
(4' MAX. SPACING)

2X9/16X1/8 CHANNEL (TYP)

1/8 X 4 FLAT STRIP

84 - 96 (OSHA)

72 (MAX)



(H.D.) 2X1/4 SQUARE TUBE
(STD.) 1-3/4X1/4 SQUARE TUBE

(H.D.) GRIT SURFACE
(STD.) FLUTED SURFACE

3/16 DIA 316 STAINLESS BLIND RIVET
(2) PER RUNG (STD.)
(4) PER RUNG (H.D.)

(H.D.) 1-1/2X1/8 ROUND TUBE
(STD.) 1-1/4X1/8 ROUND TUBE

FOOT ANGLE x 2" BOLTED TO SQUARE TUBE

